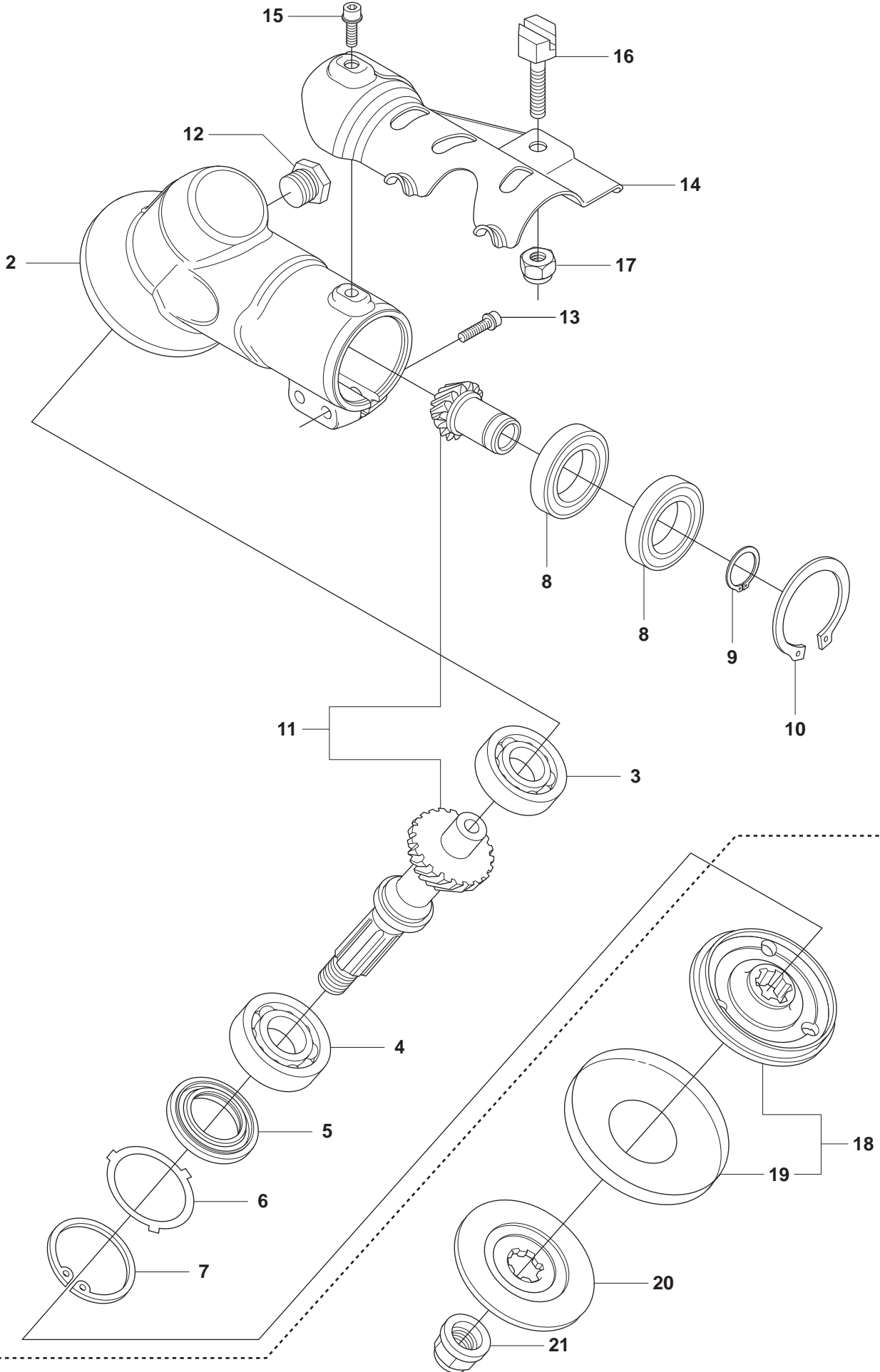


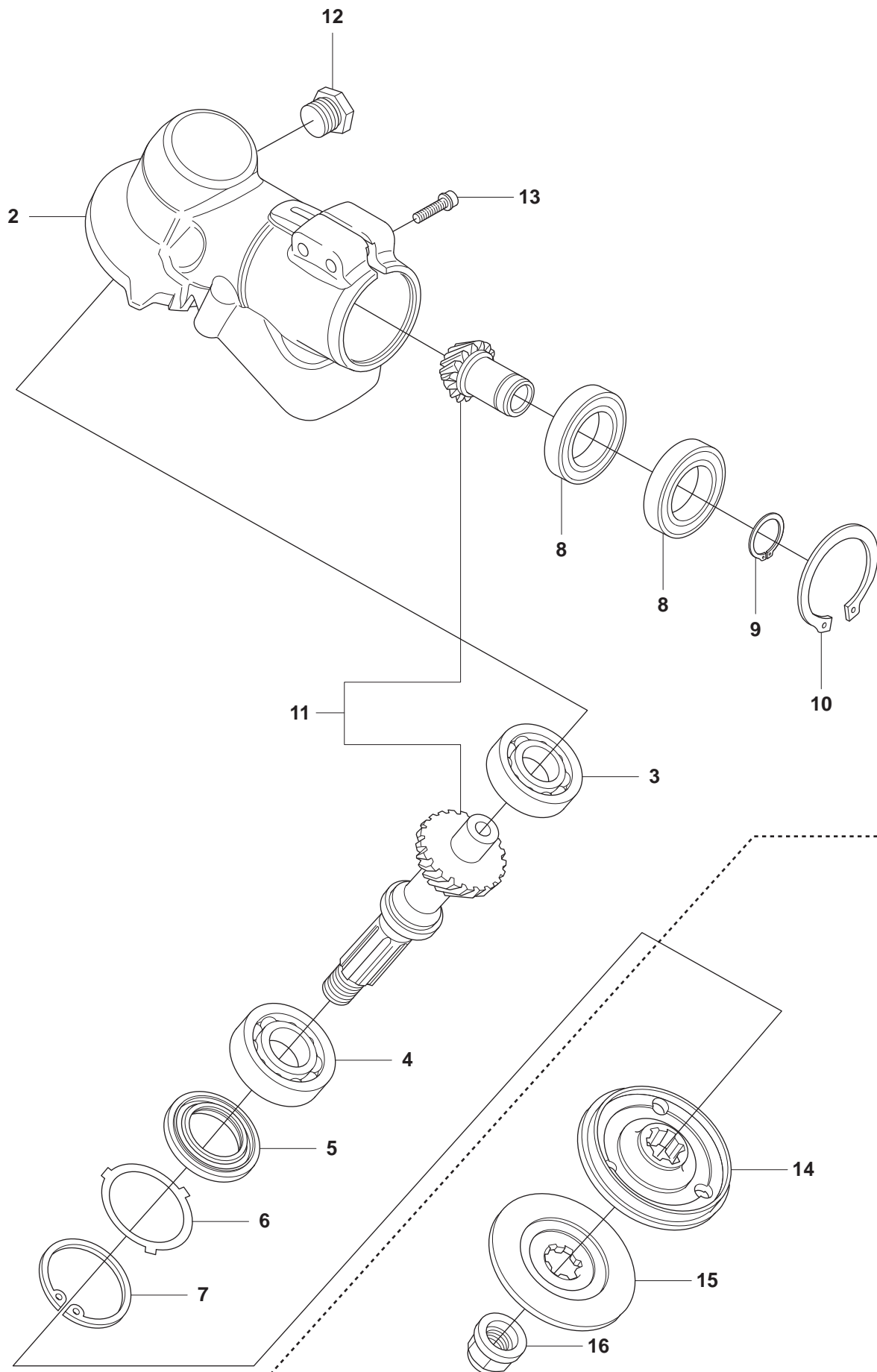
# A1 355Rx

1





1

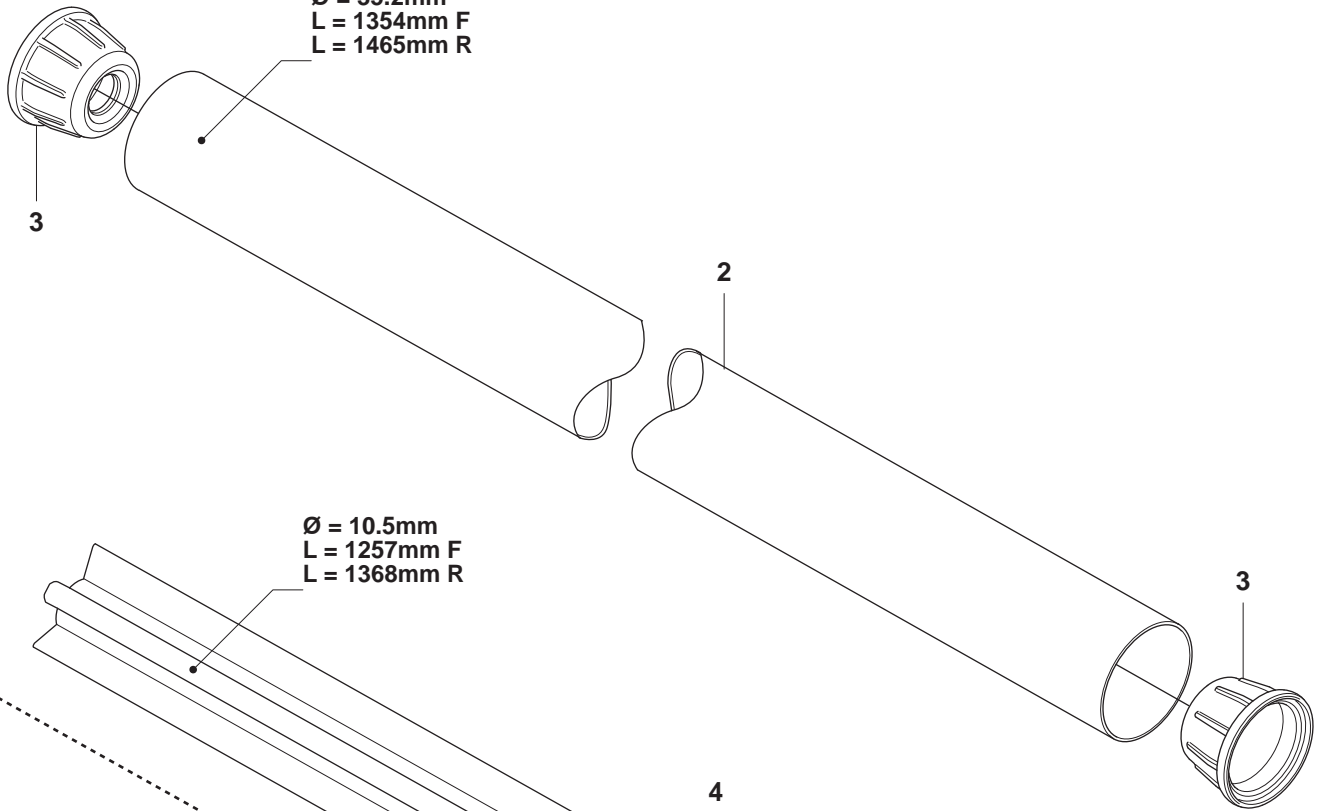




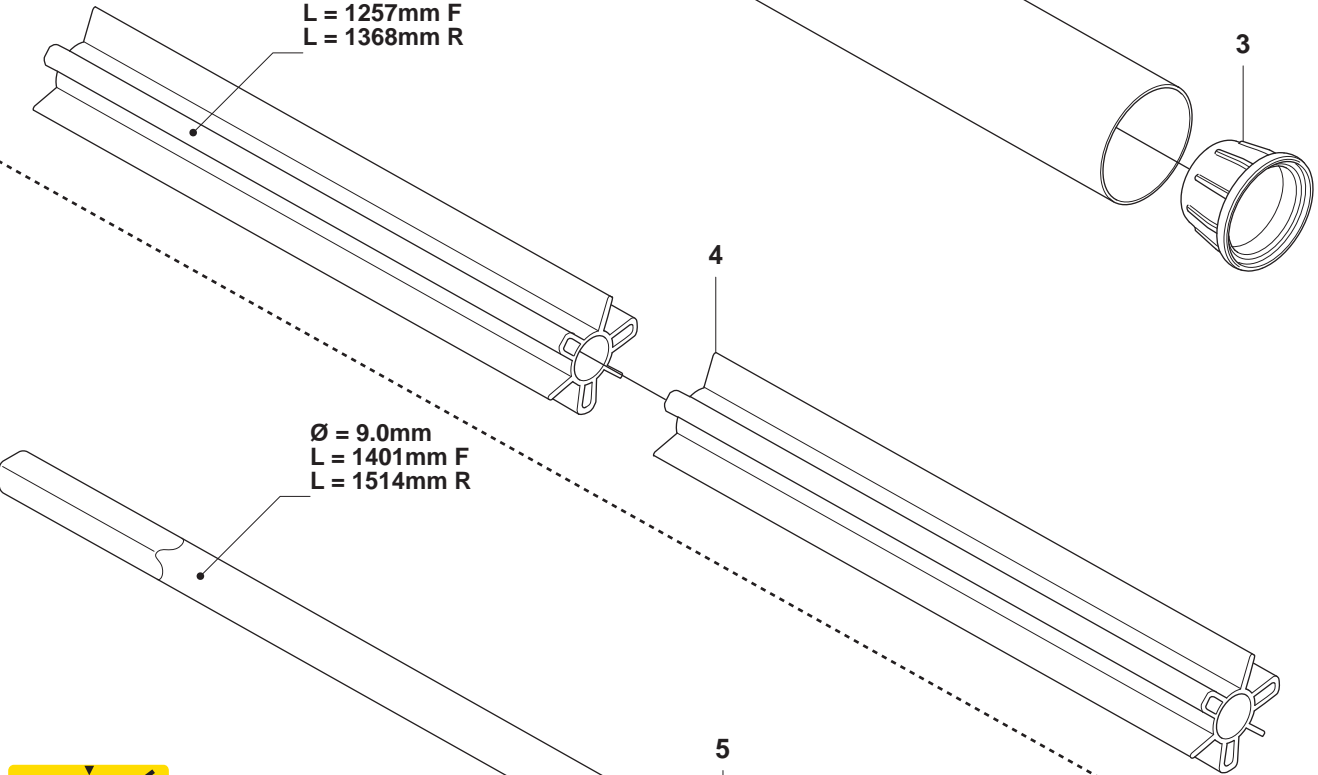
**B** 355

1

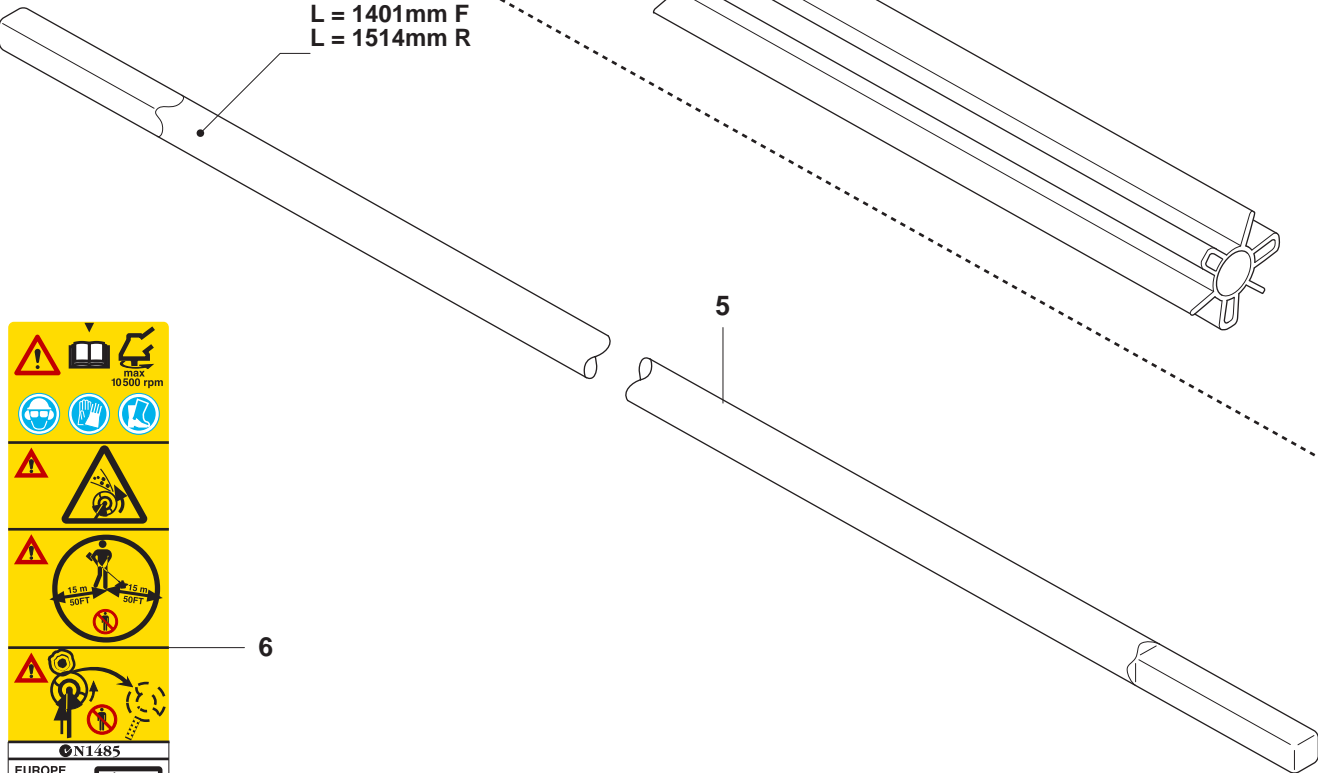
Ø = 35.2mm  
L = 1354mm F  
L = 1465mm R



Ø = 10.5mm  
L = 1257mm F  
L = 1368mm R



Ø = 9.0mm  
L = 1401mm F  
L = 1514mm R



max 10500 rpm

15 m SOFT 15 m SOFT

6

EN1485

EUROPE

CE

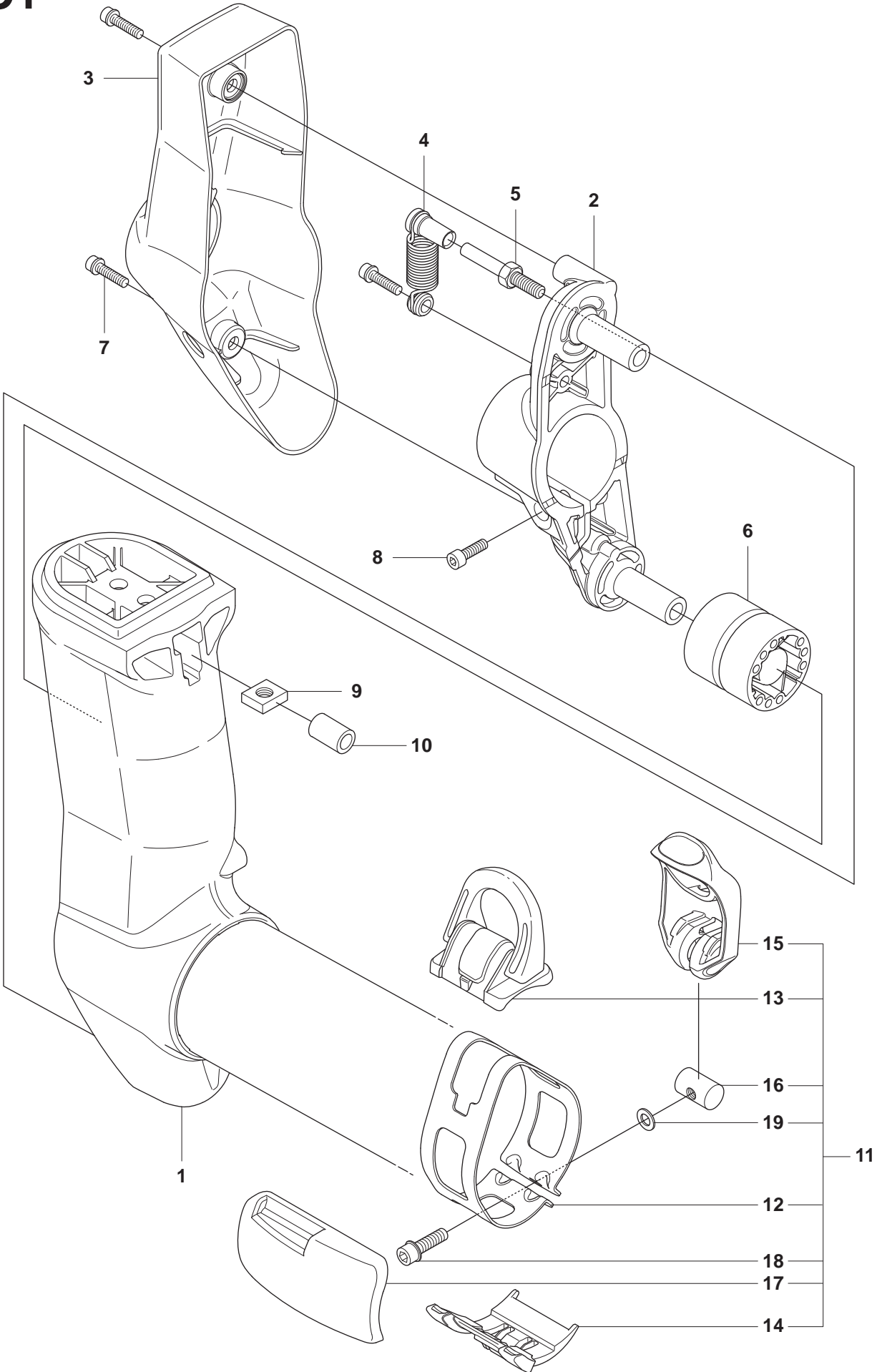
113 dB

PC MP04

↓



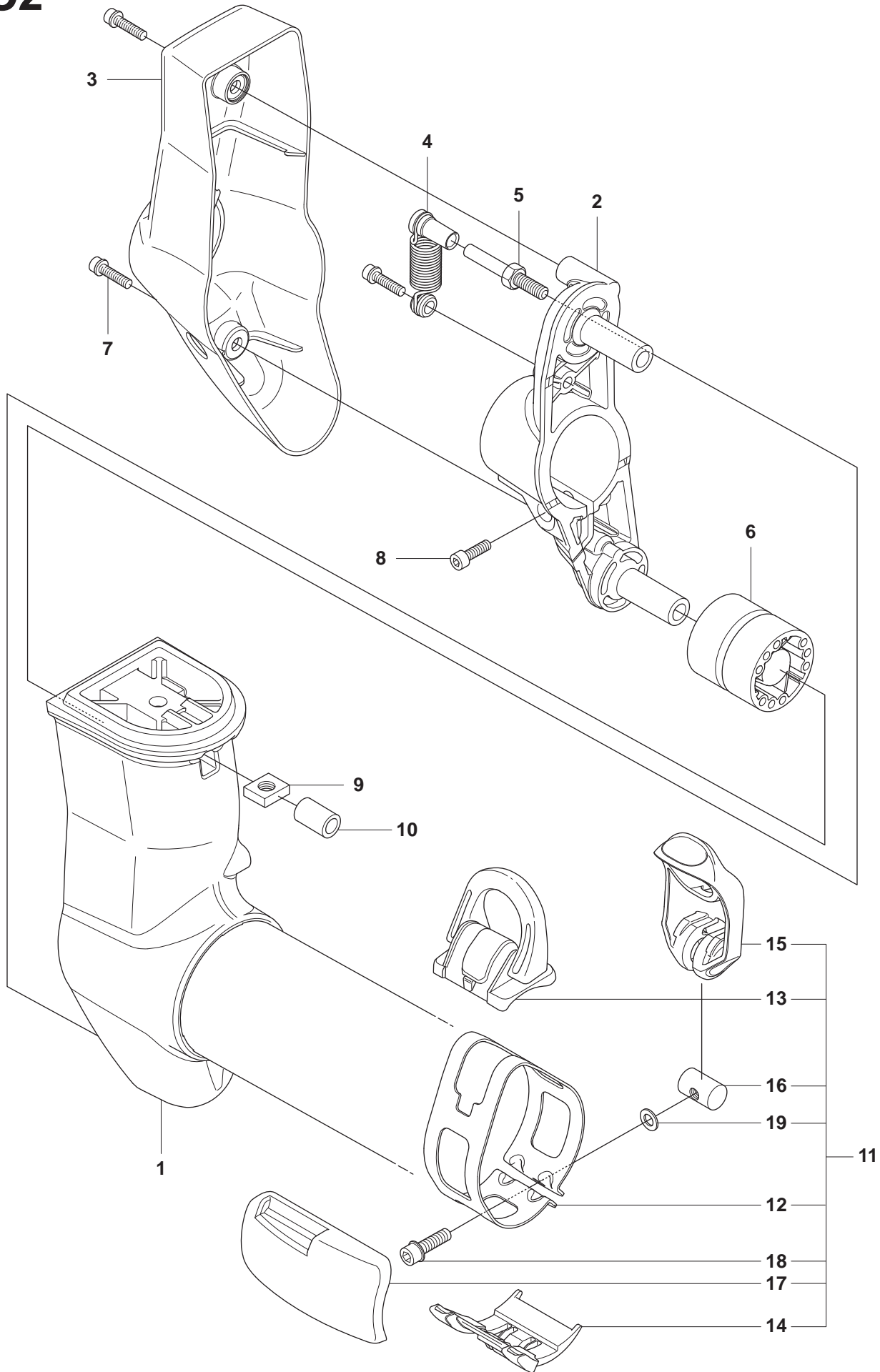
# C1 355R



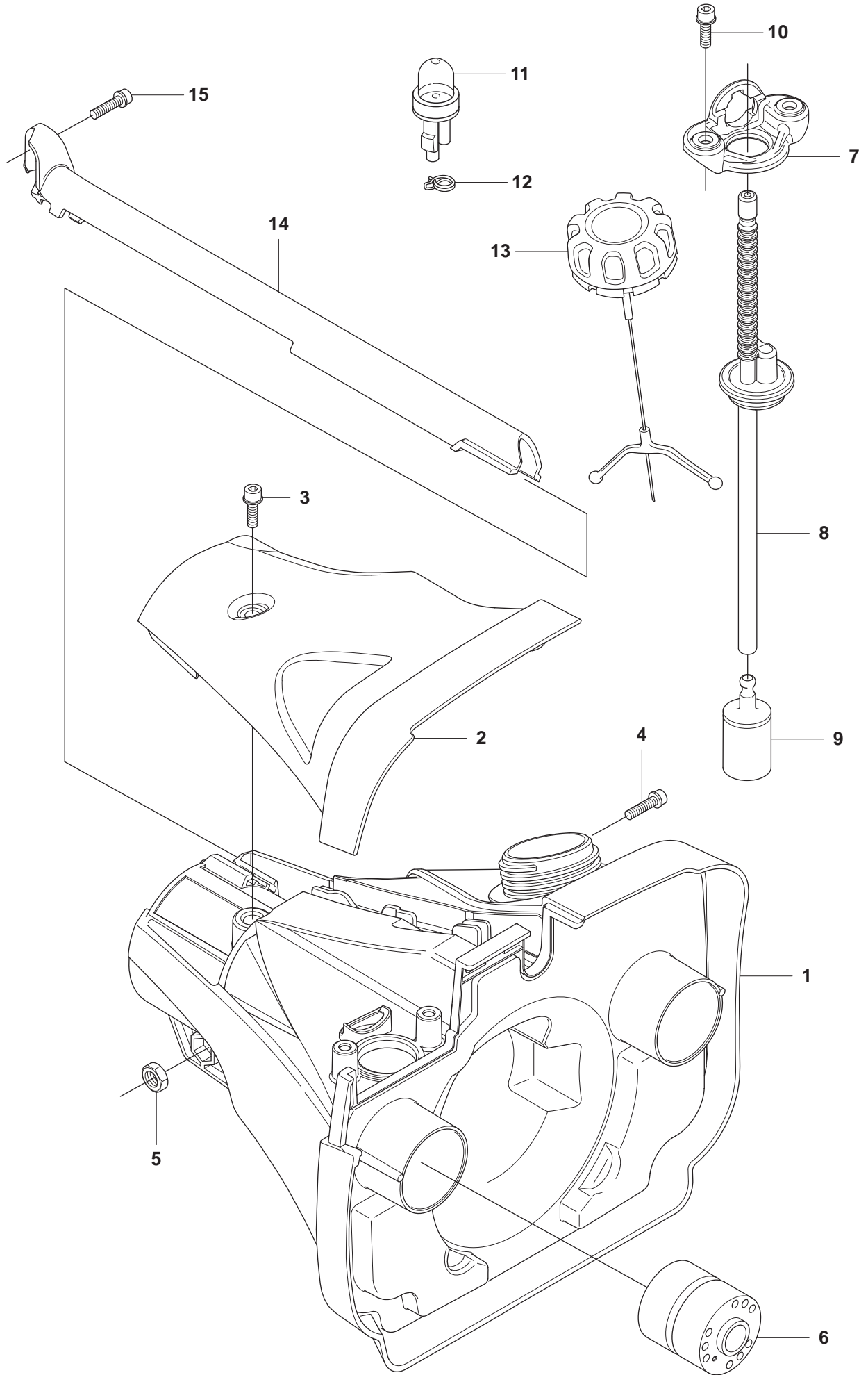




**C2** 355F

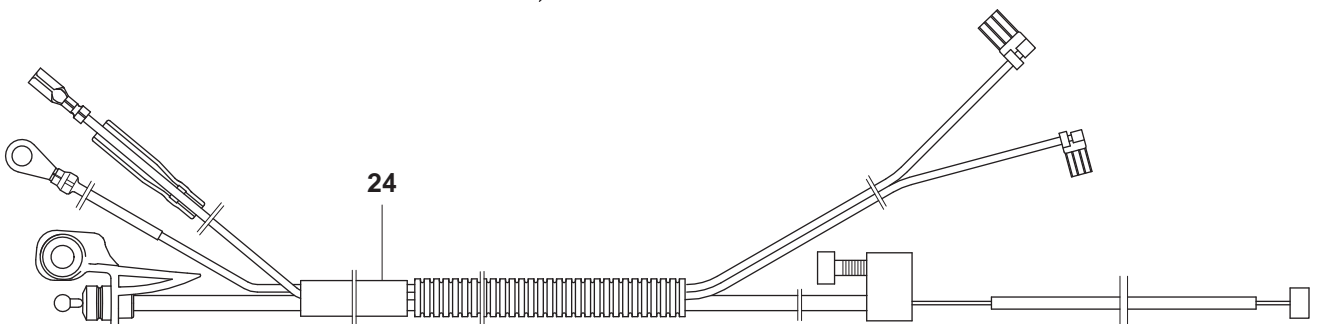
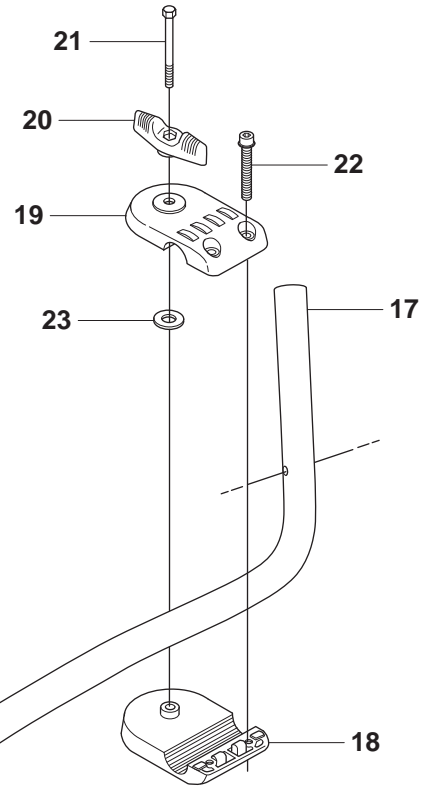
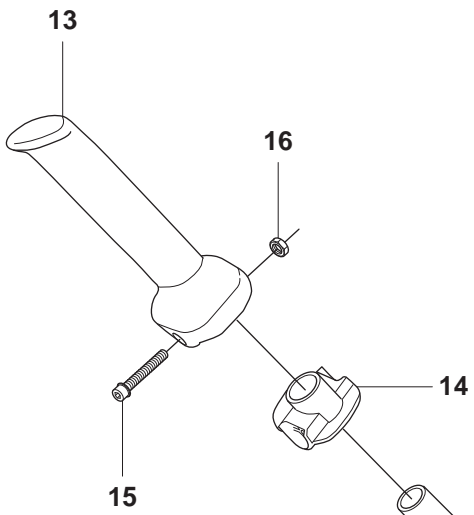
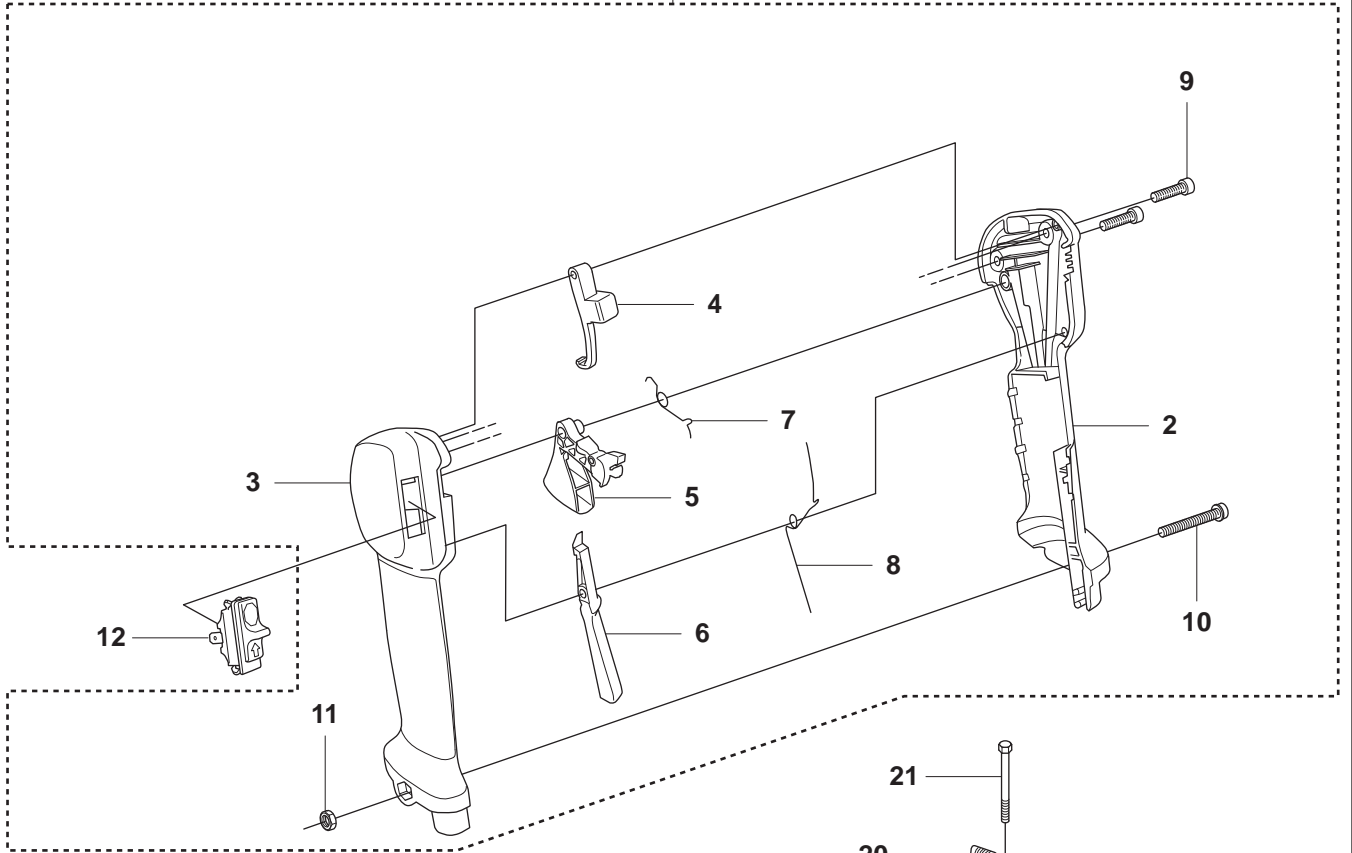






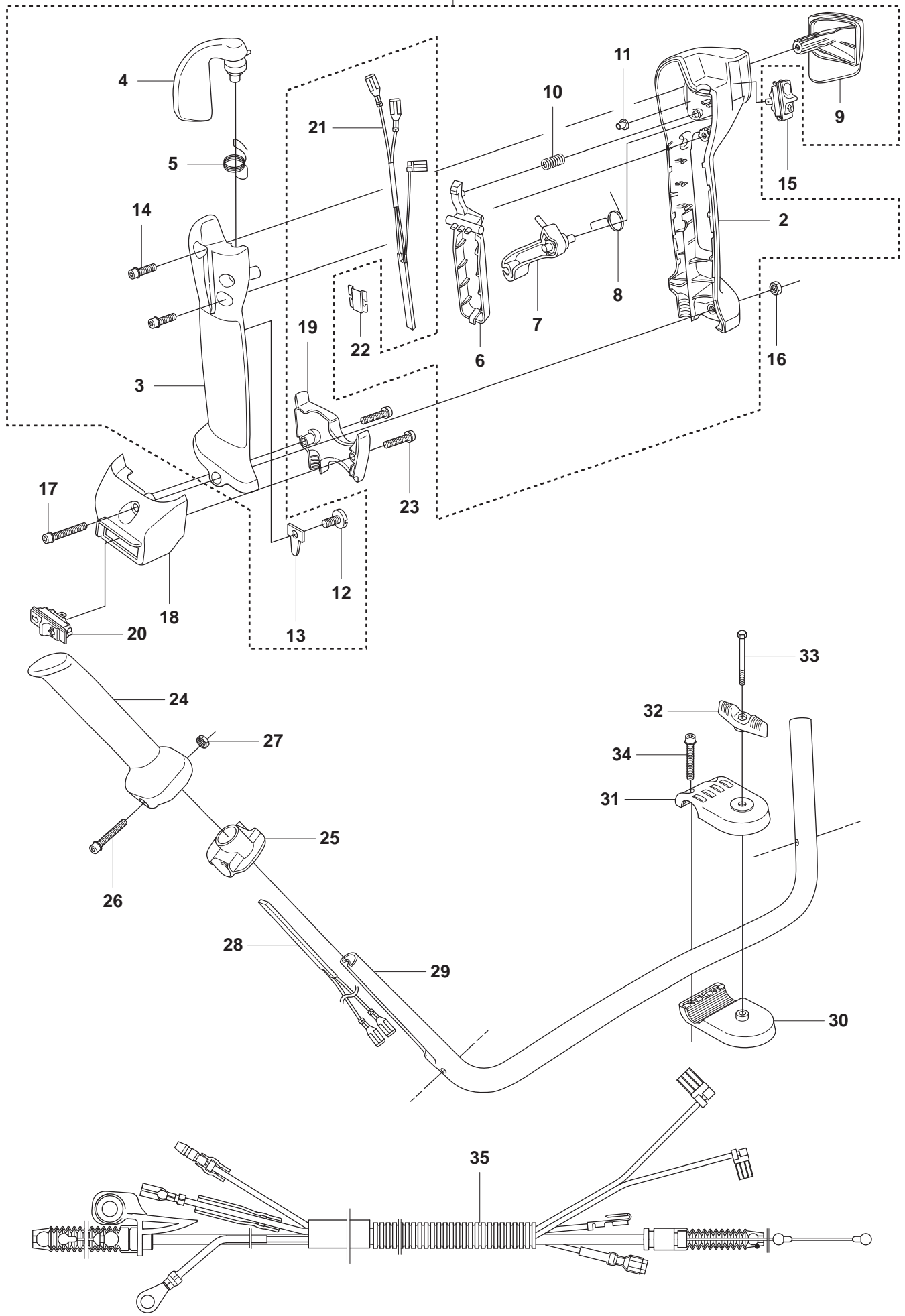


1



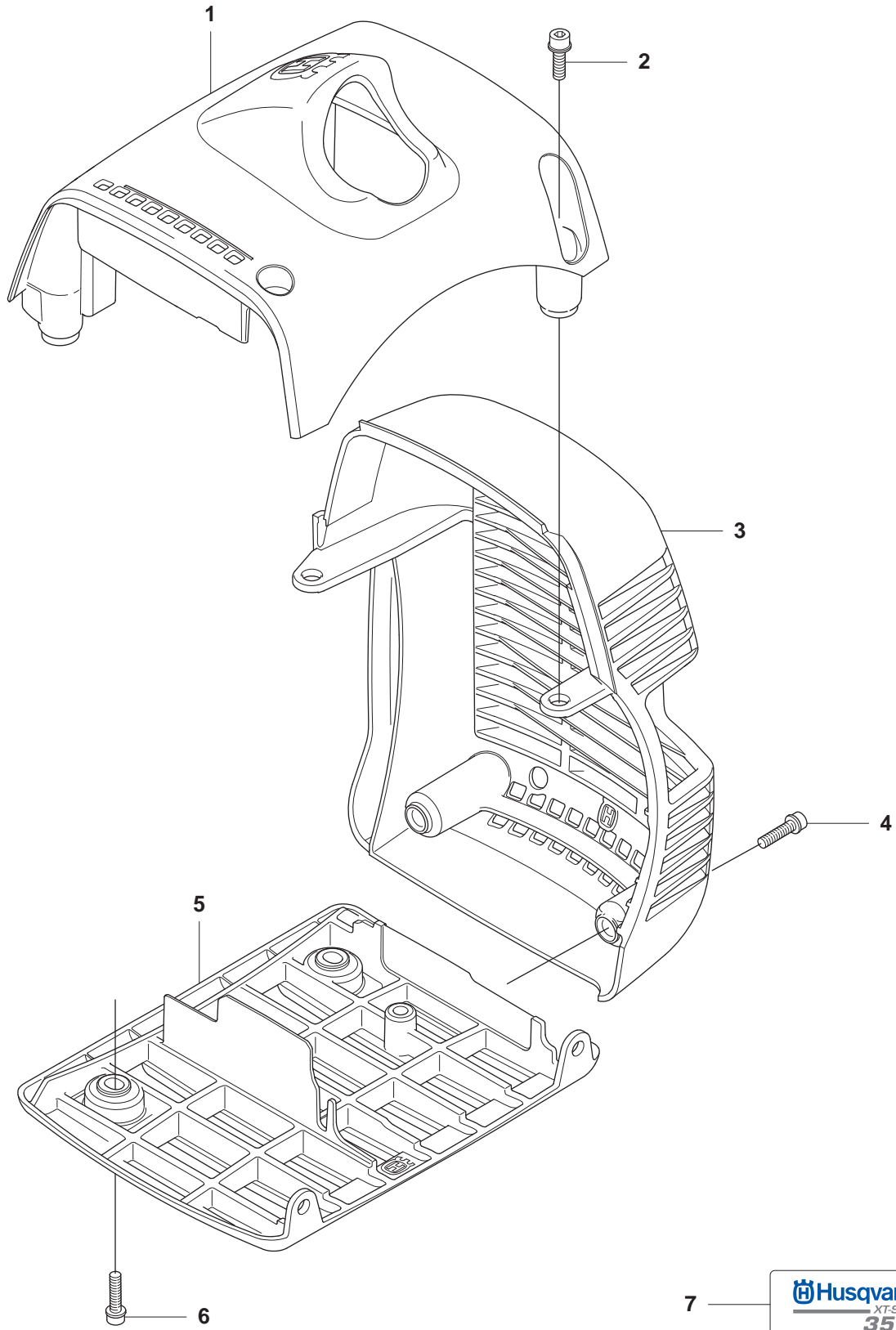





1



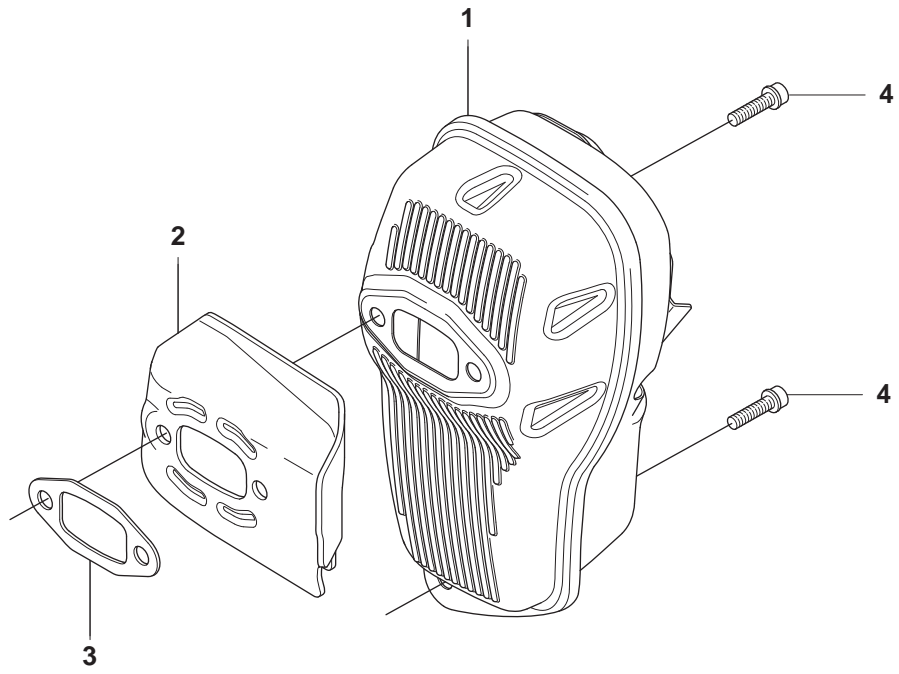






- 7 — 
- 7 — 
- 7 — 

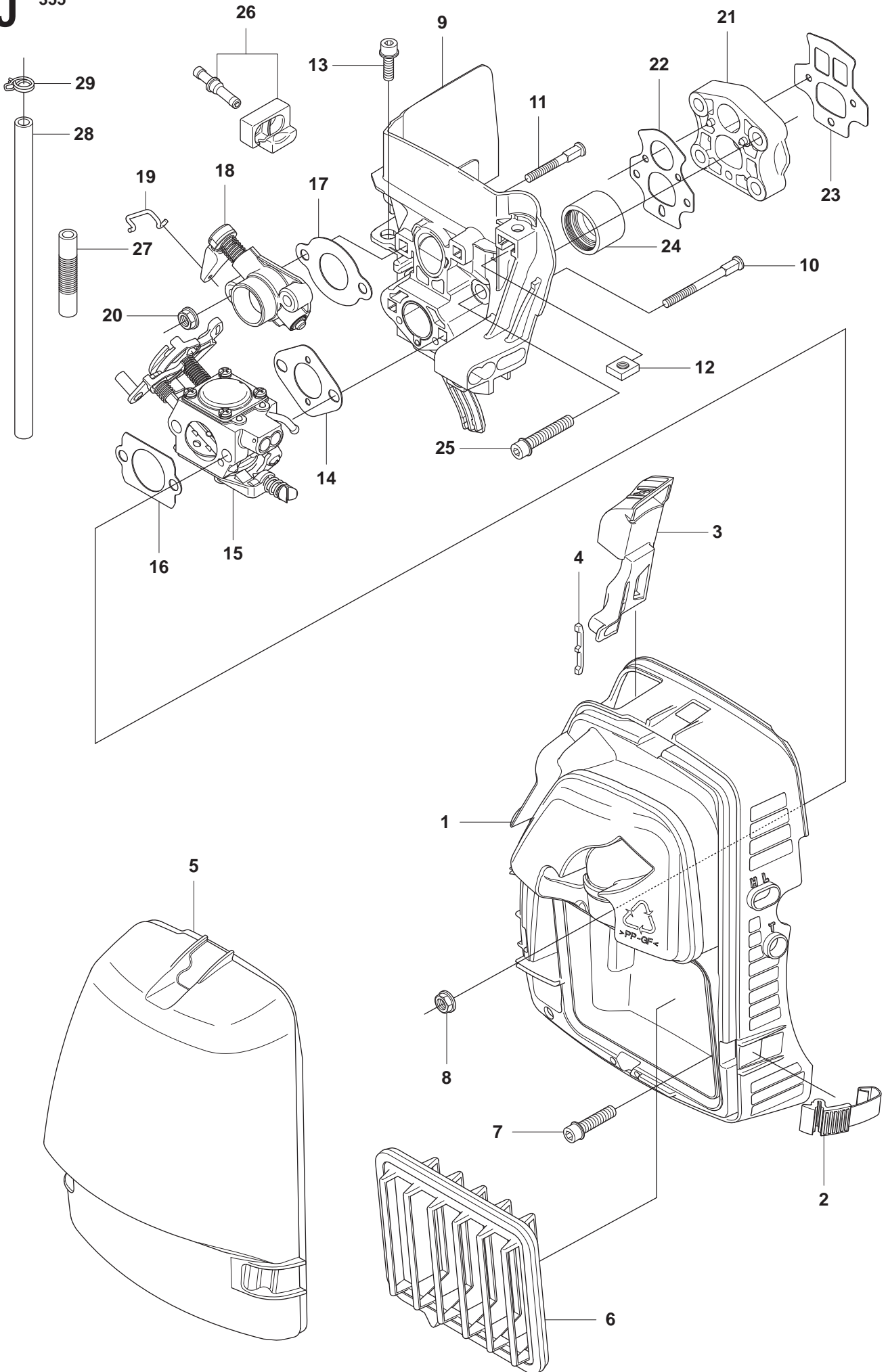




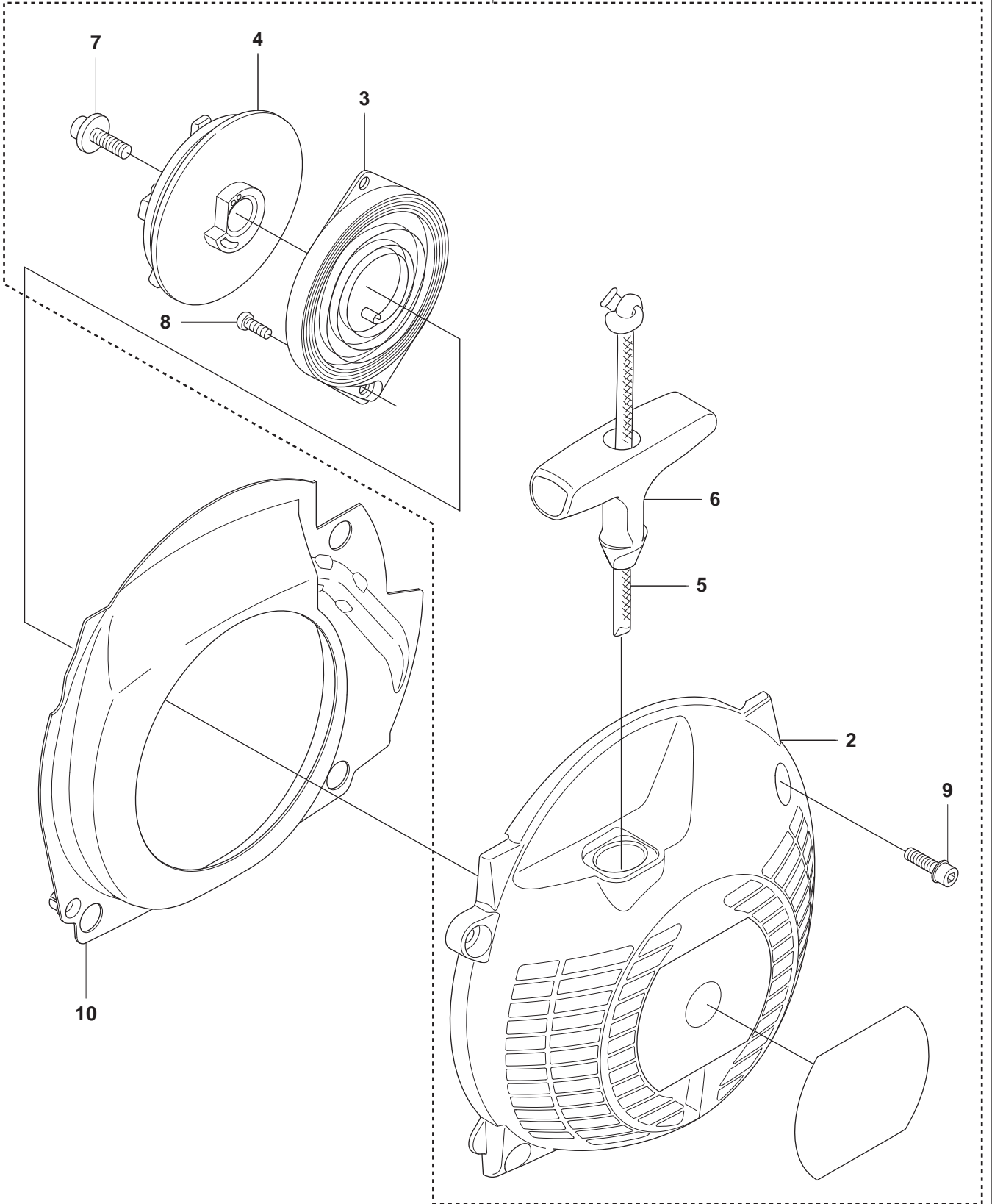


**J**

355







11



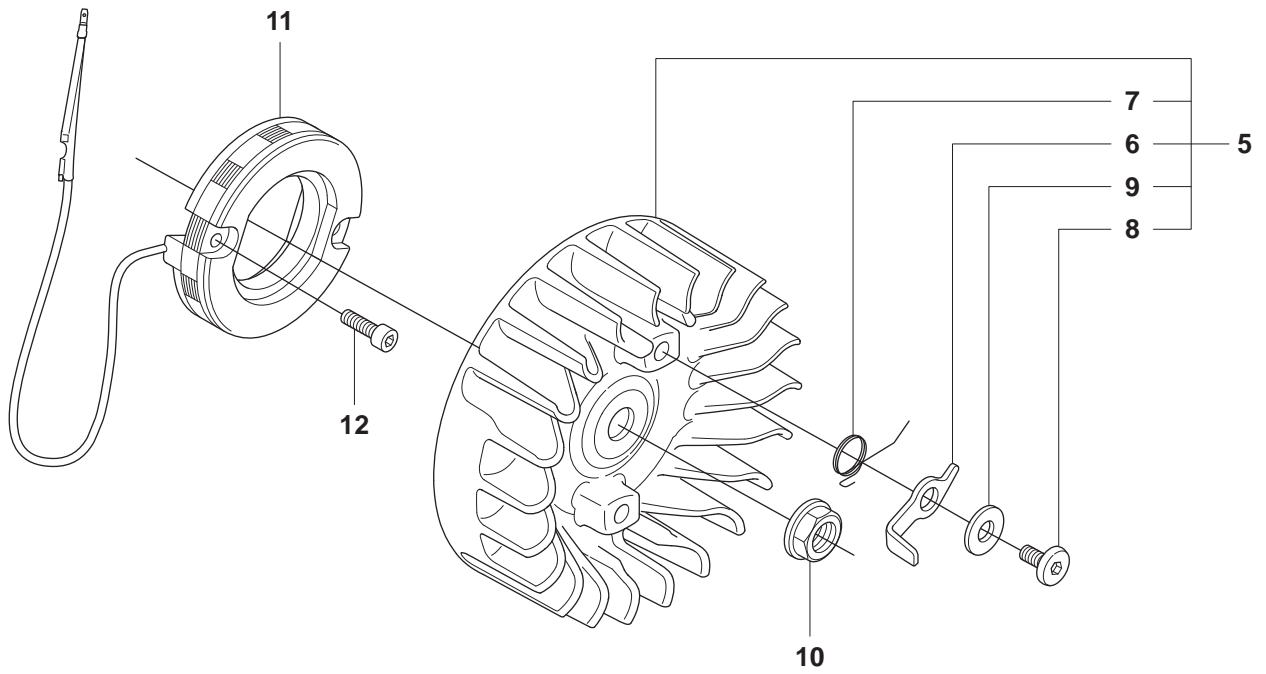
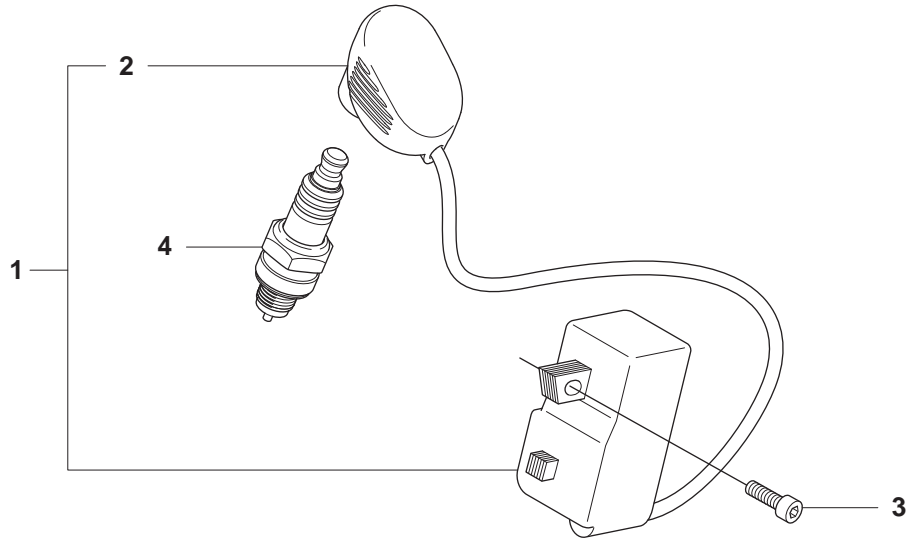
11



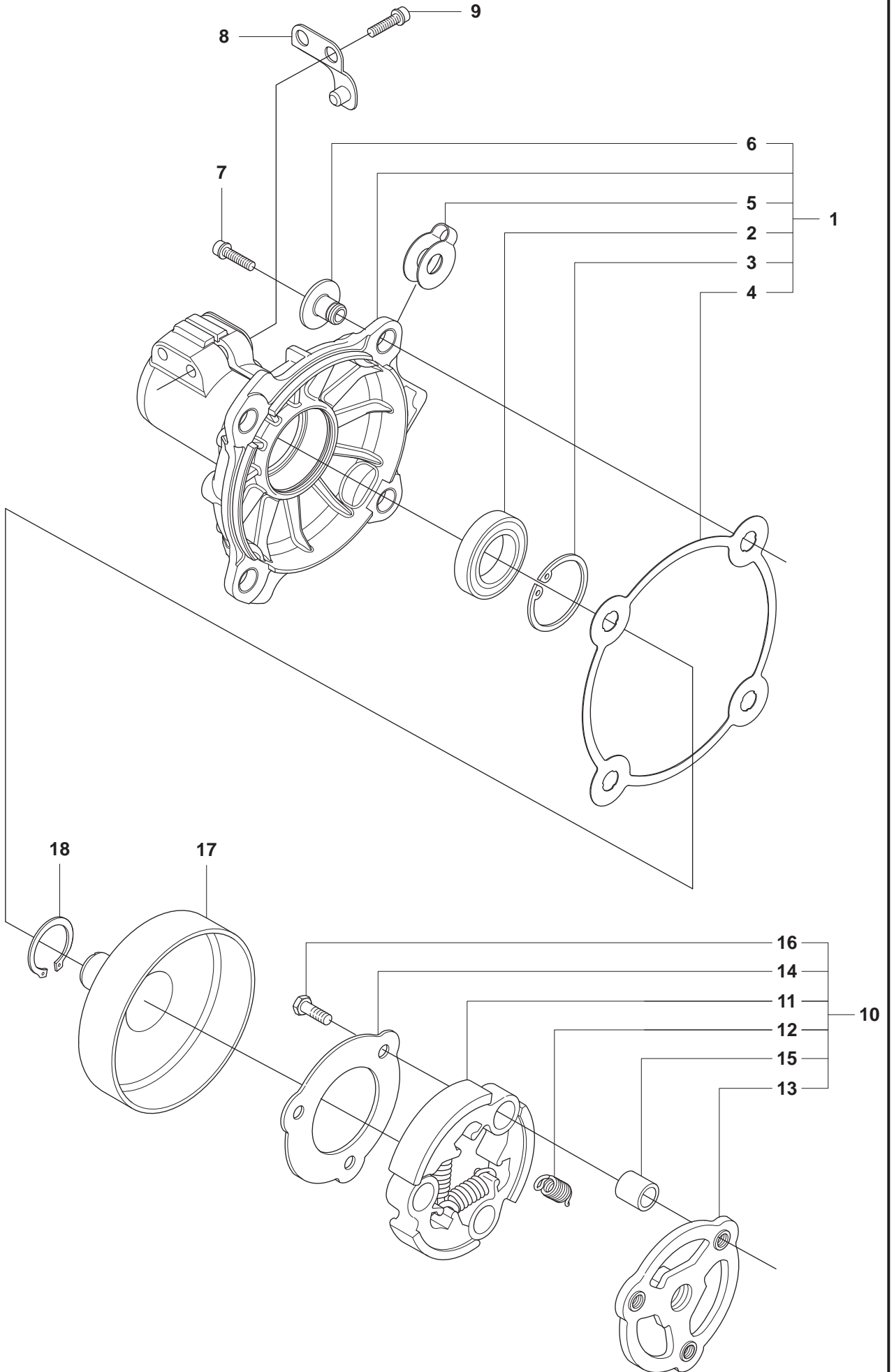
11



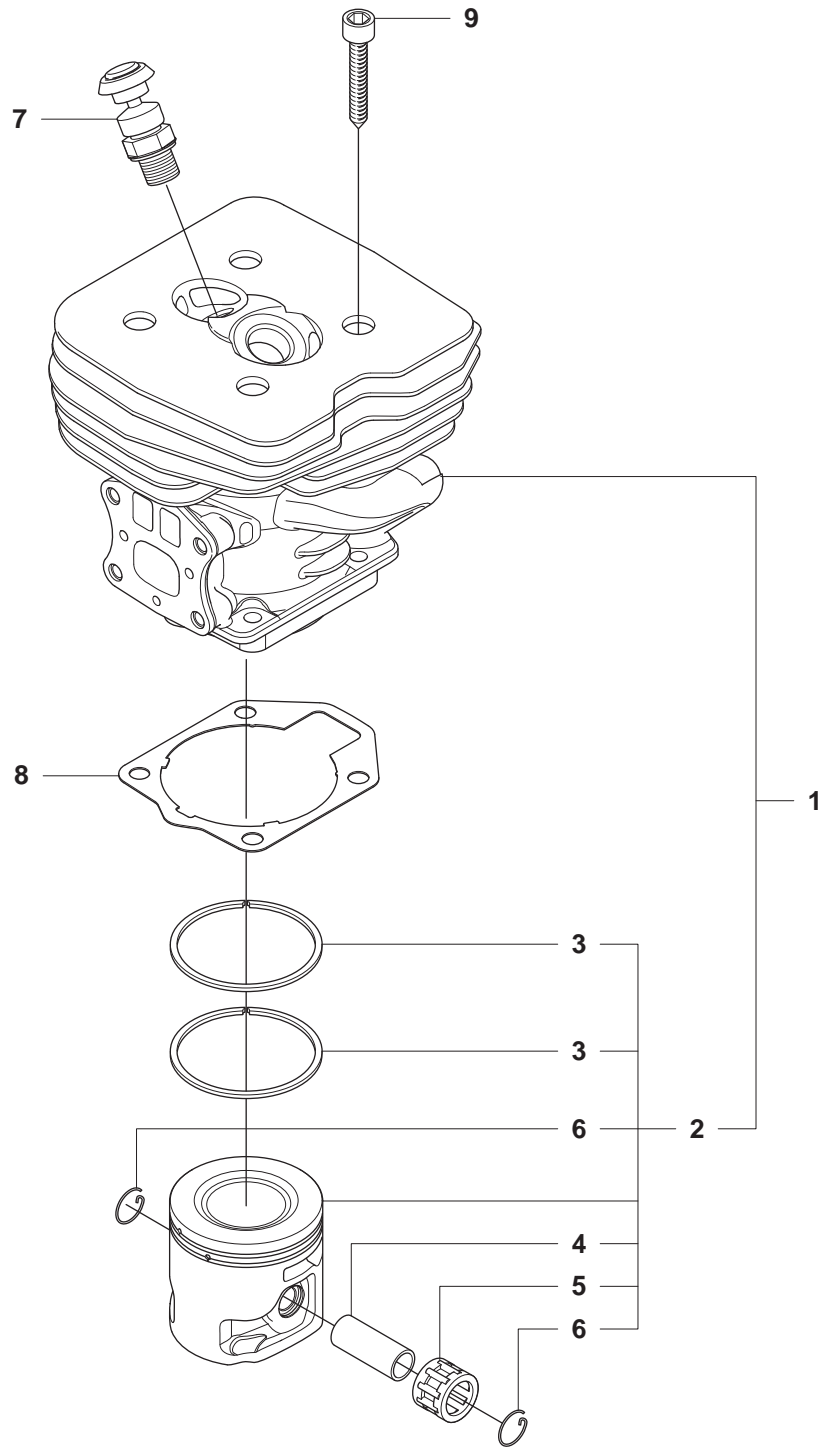




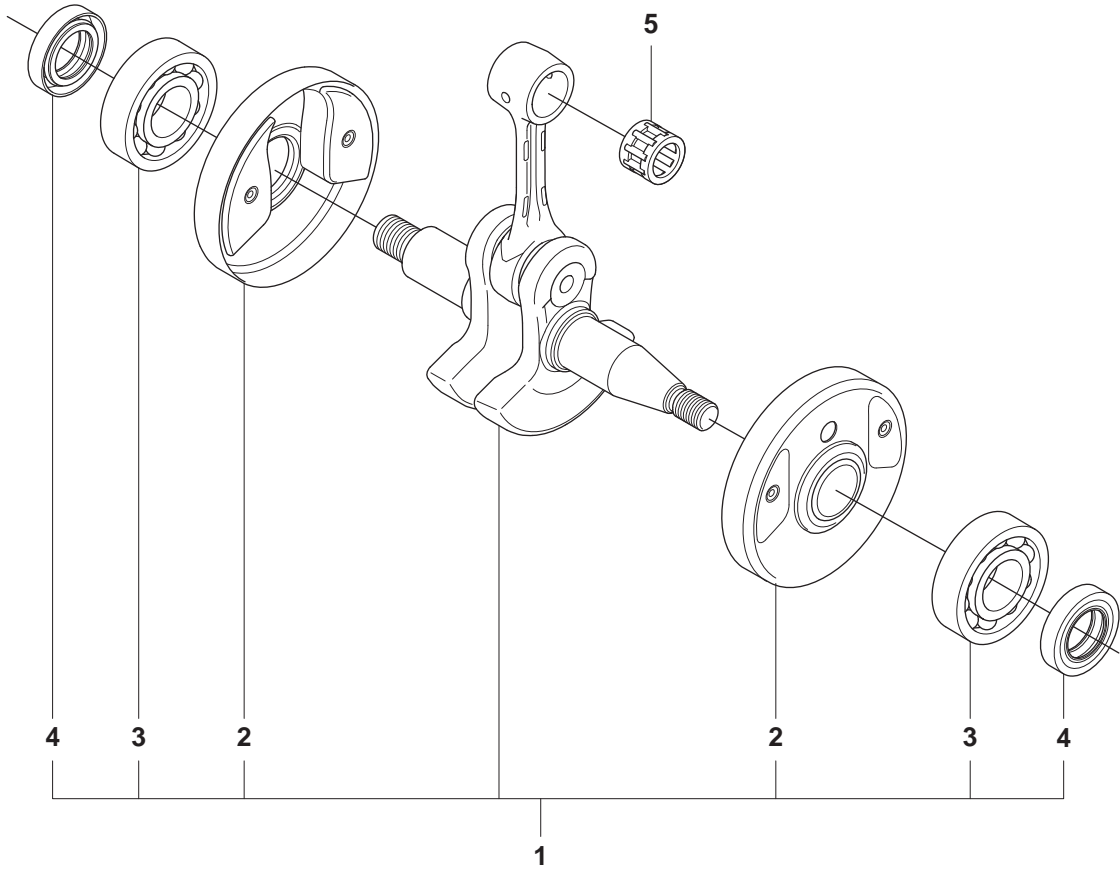






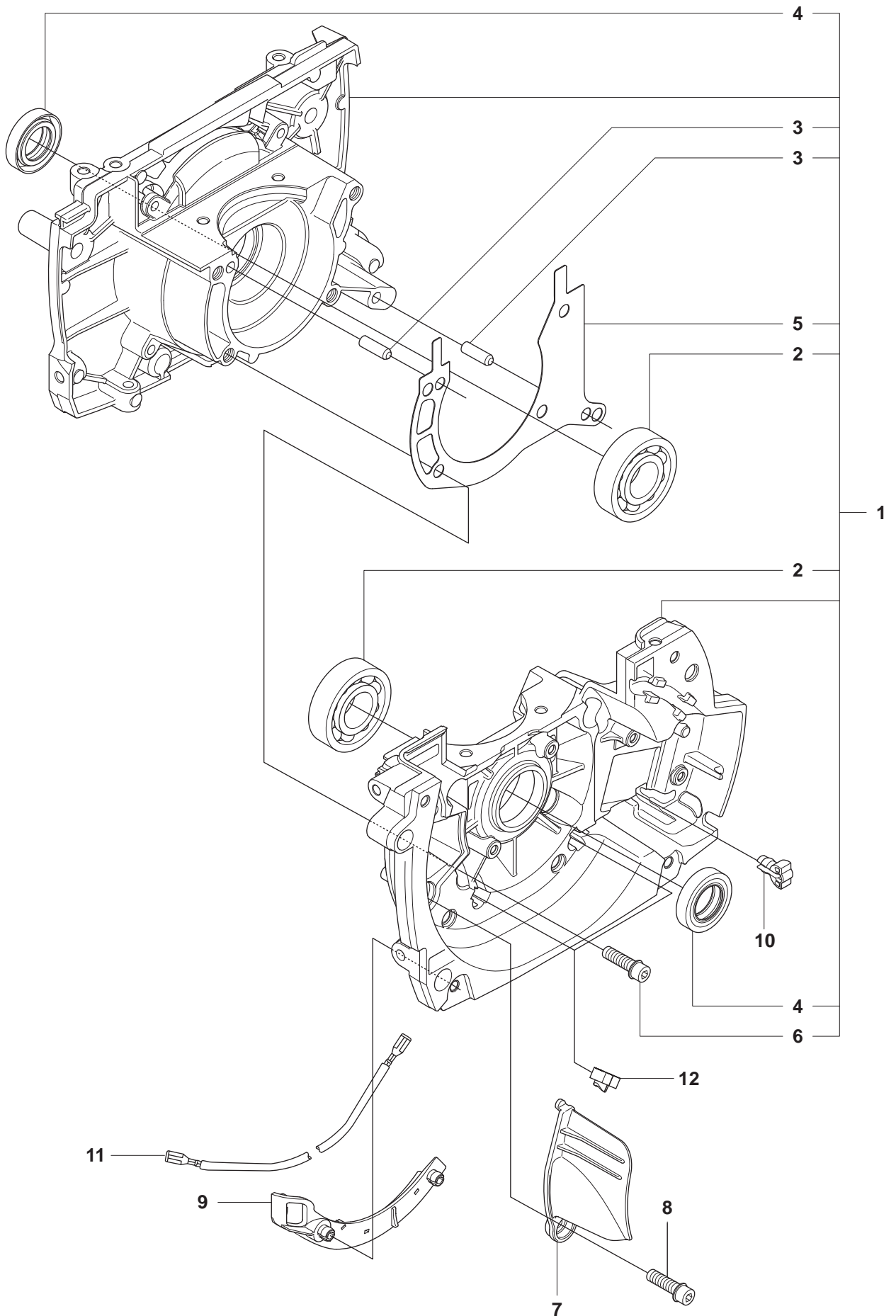




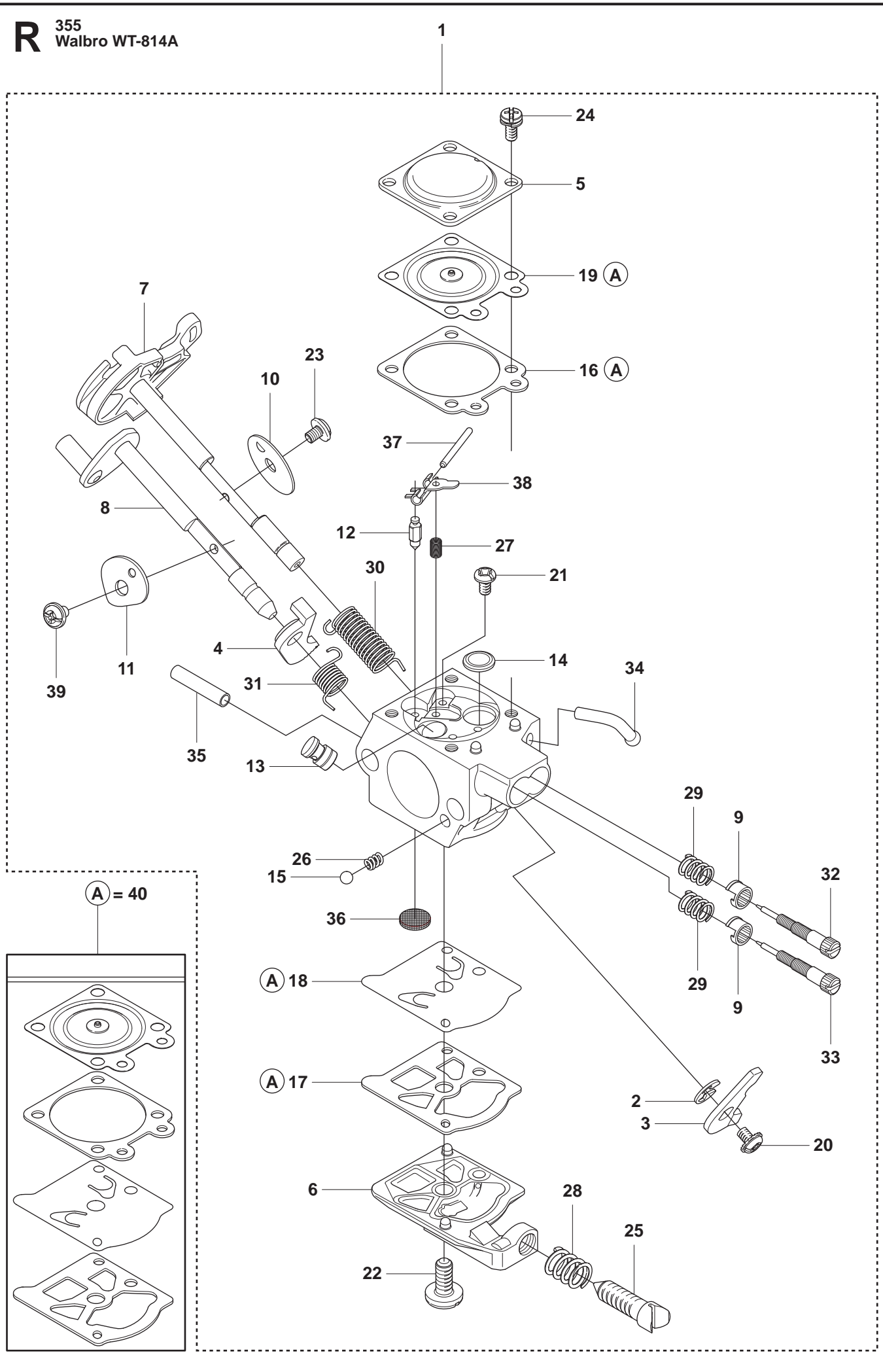






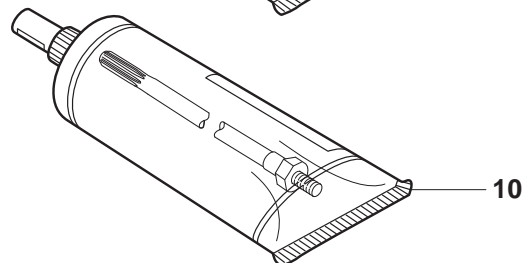
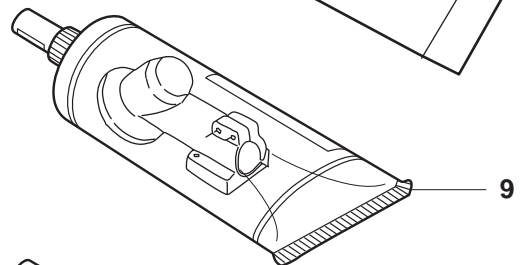
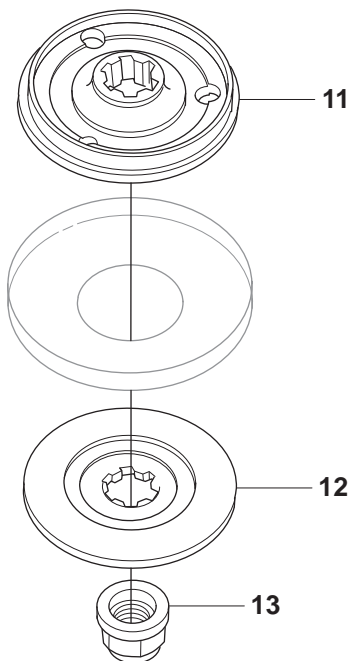
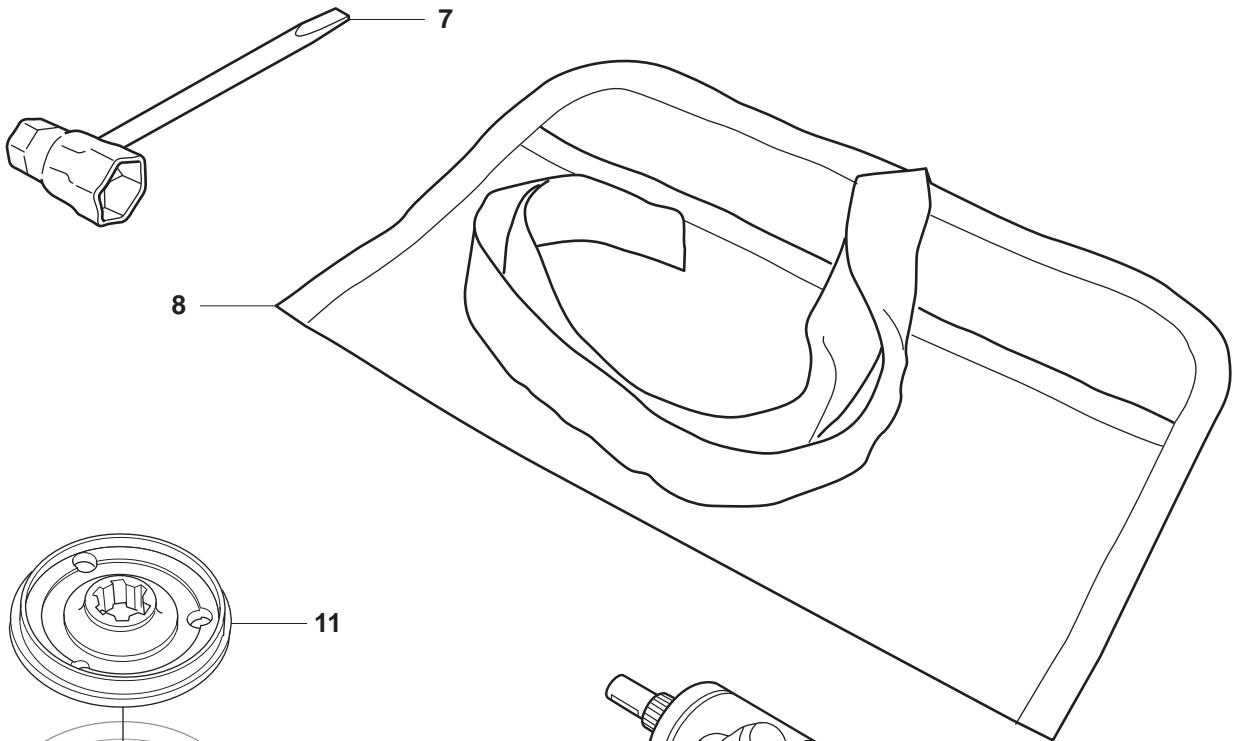
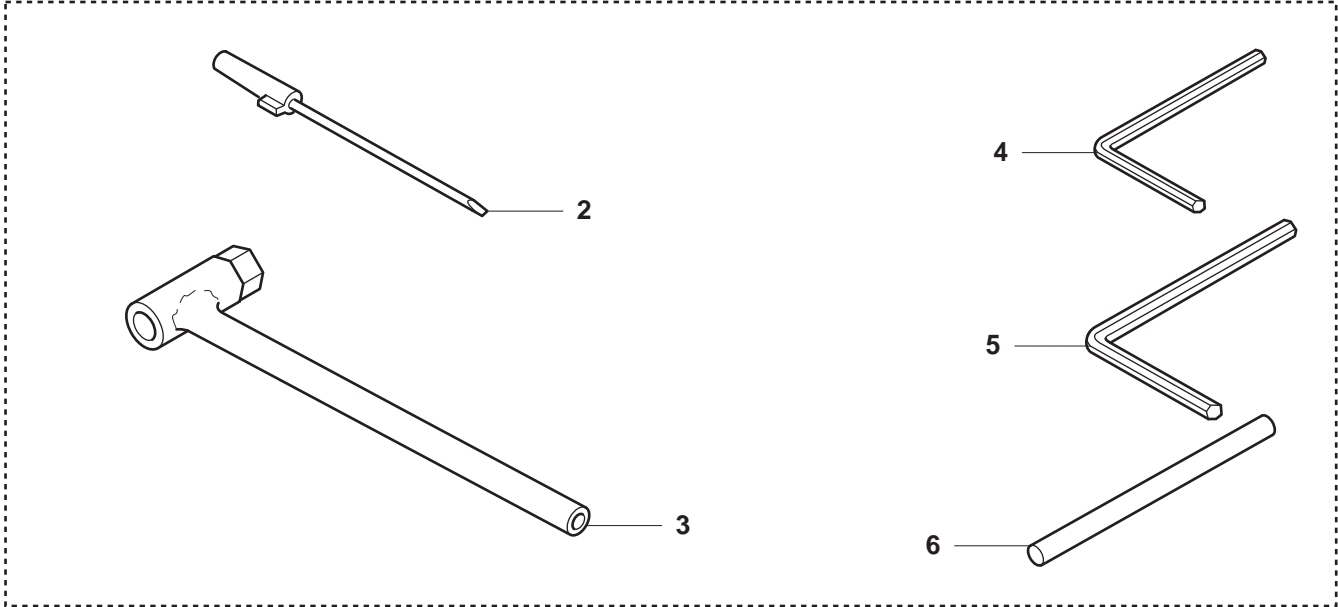






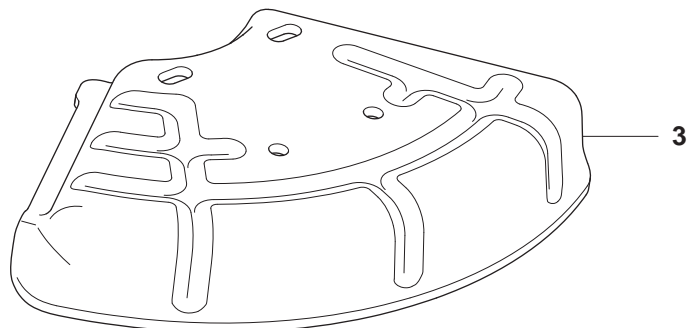
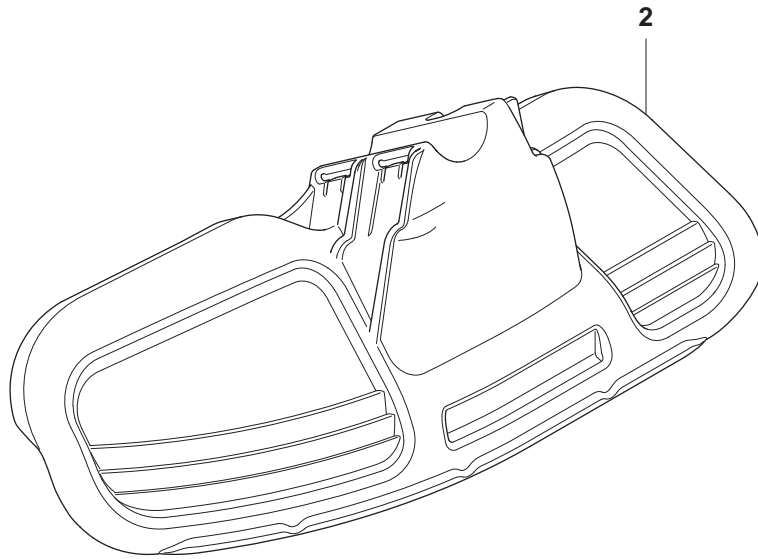
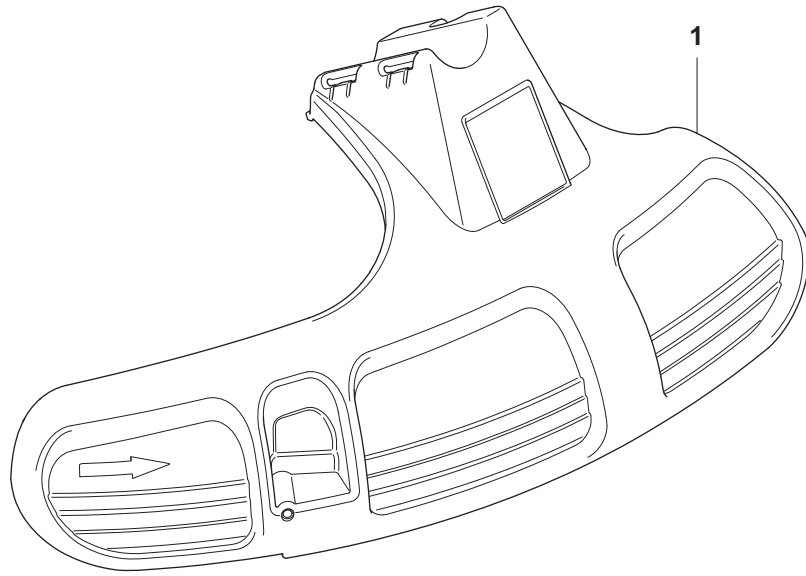


1





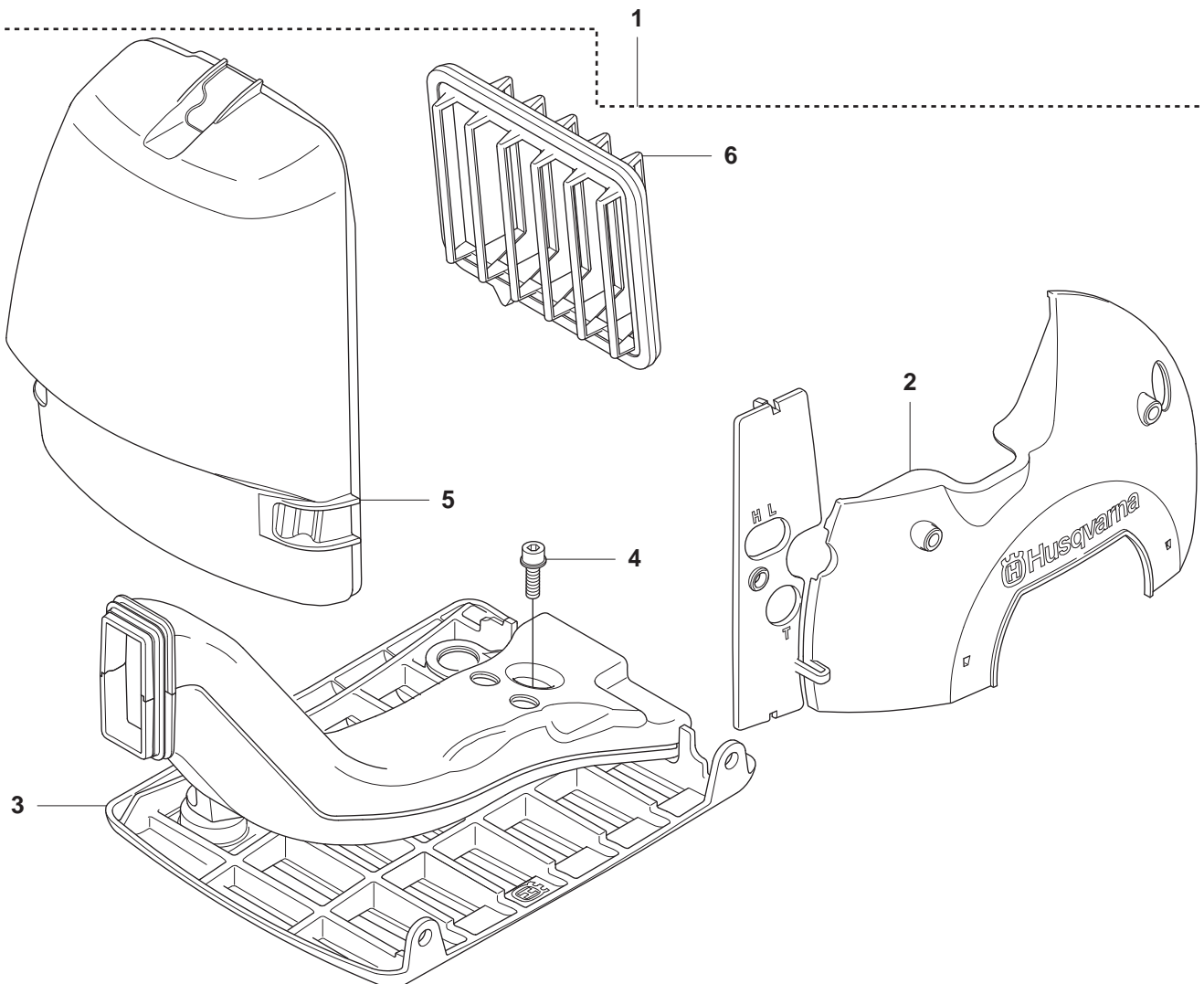
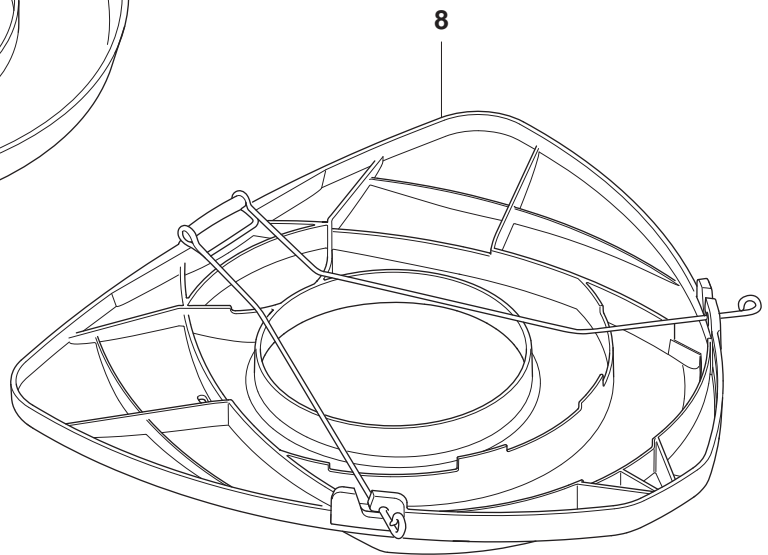
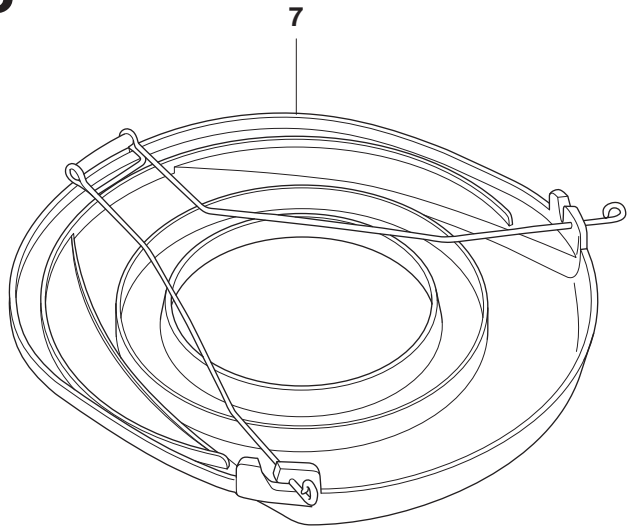
**S2** 355





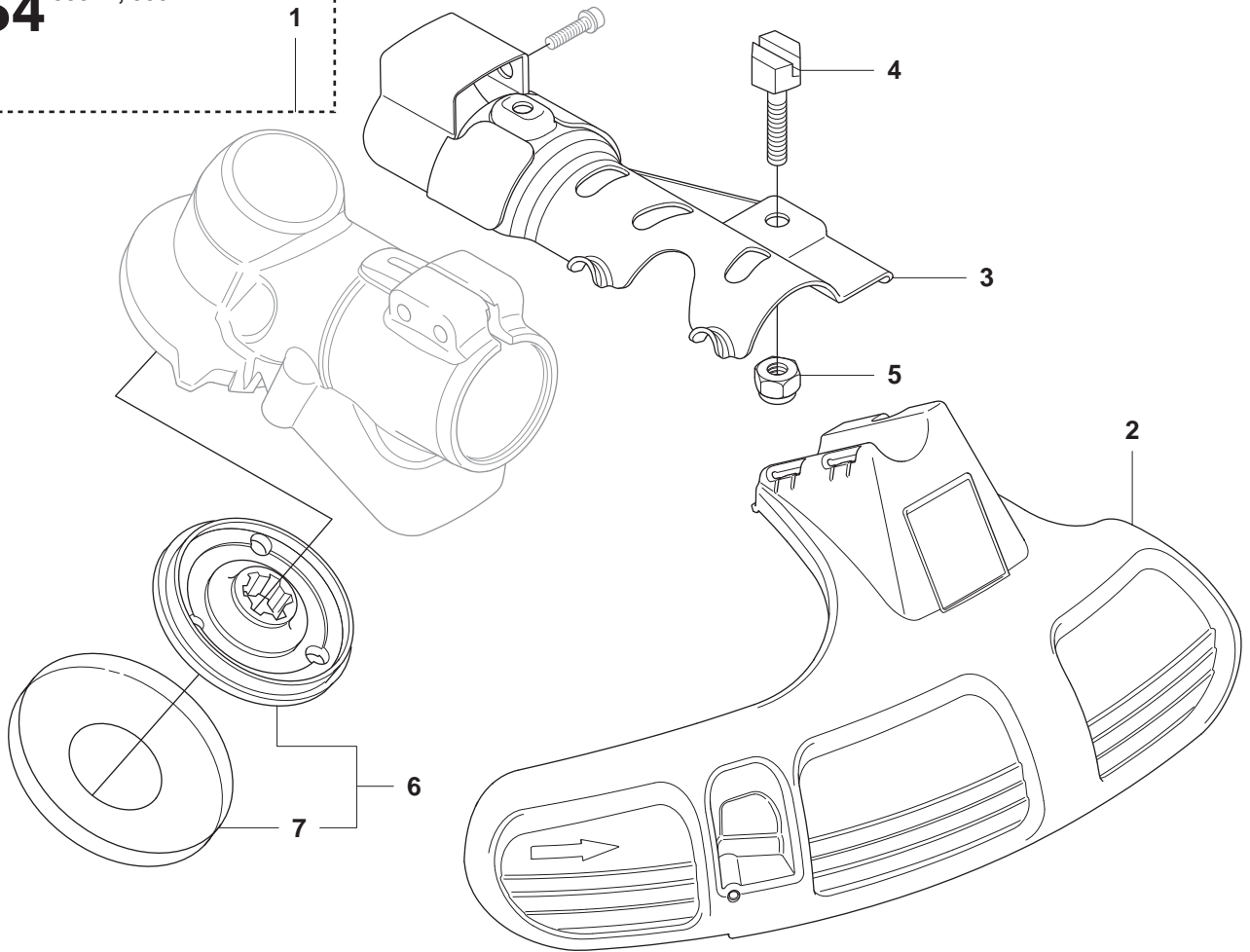


**S3** 355

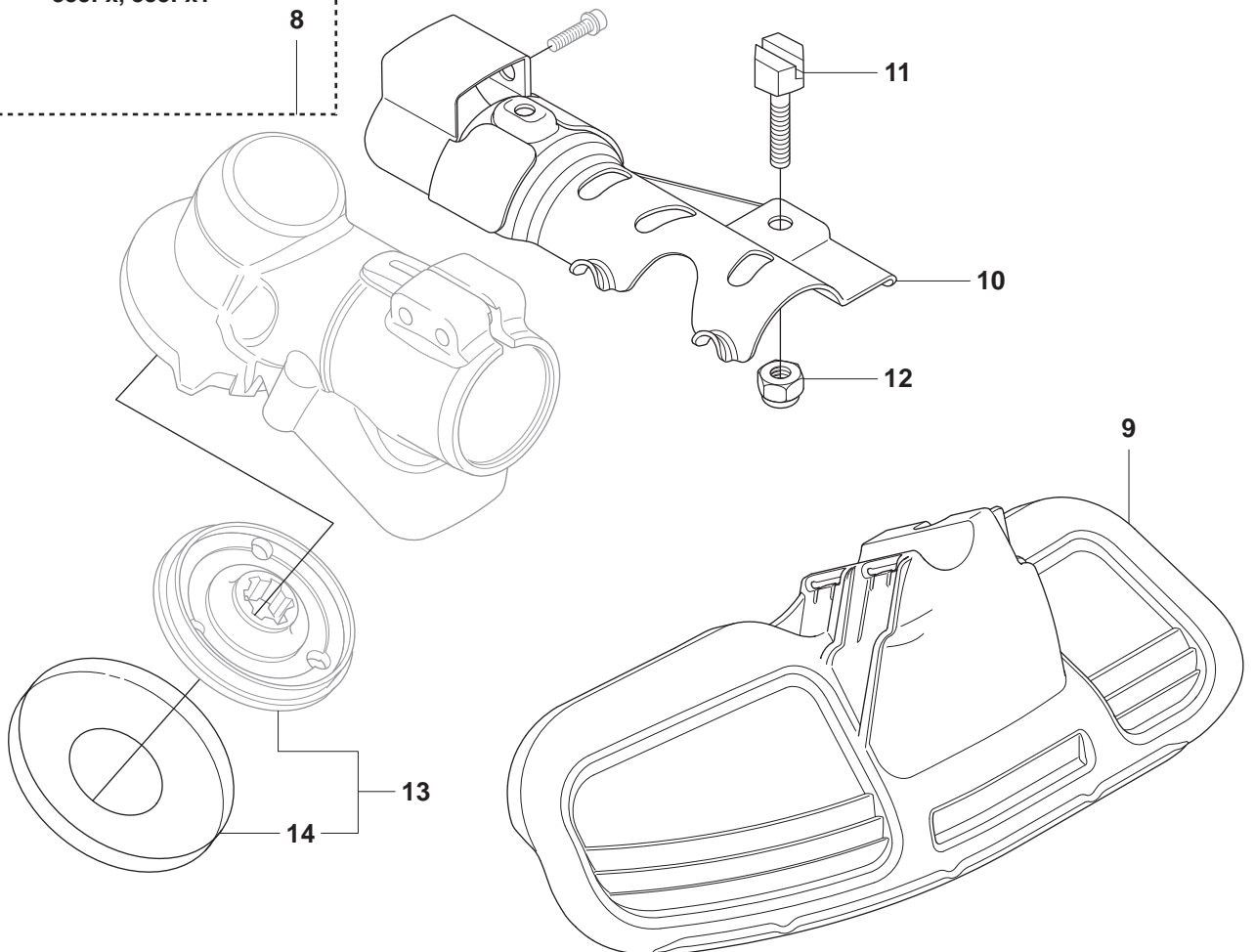




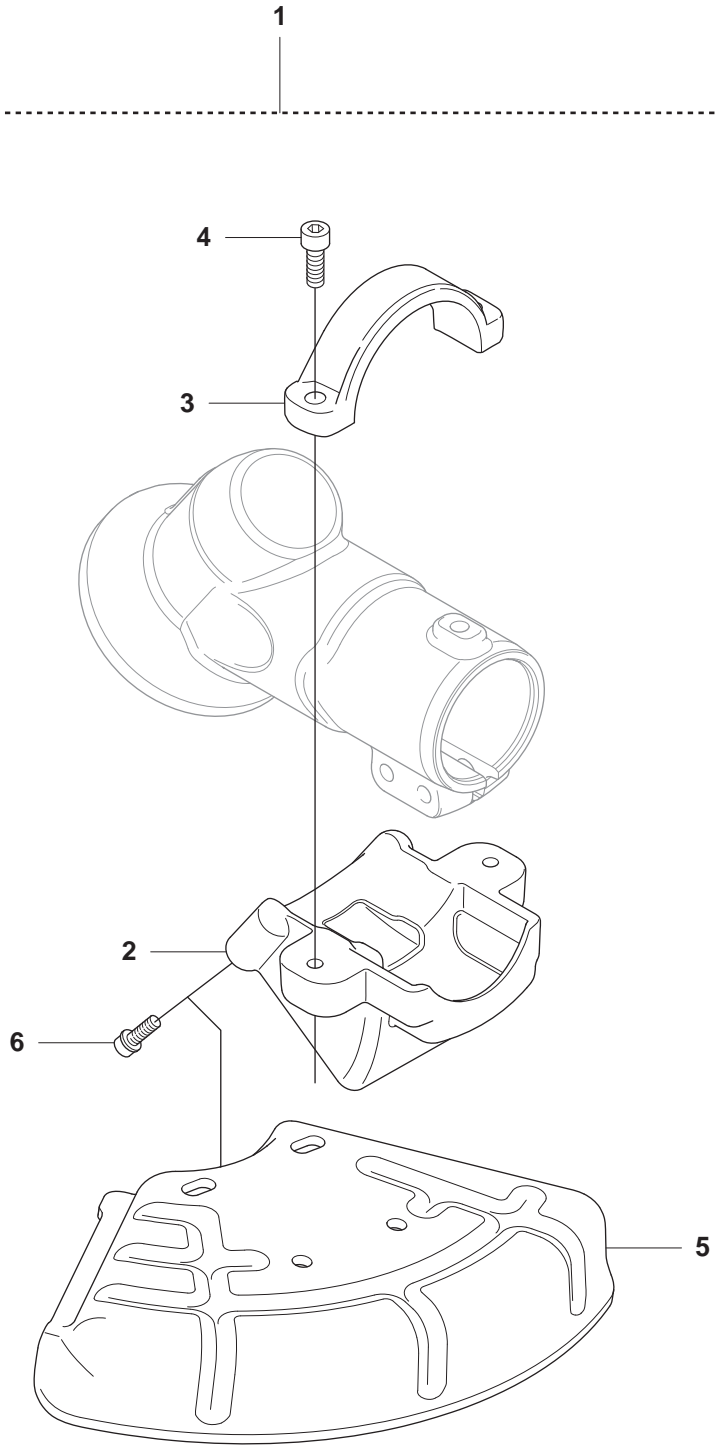
**S4** 355Fx, 355FxT



355Fx, 355FxT









# T Triobalance

